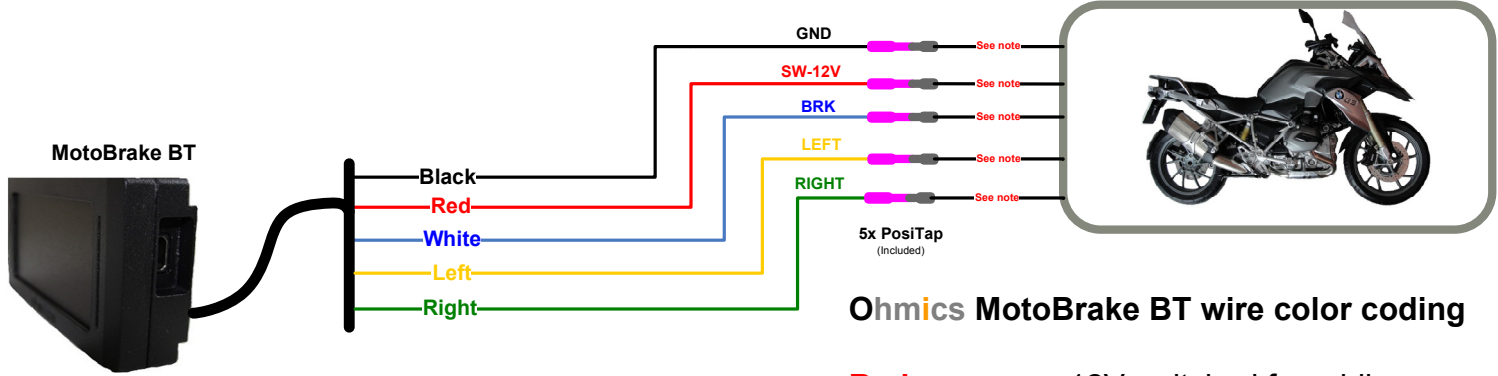




MotoBrake BT Wiring Diagram



Ohmics MotoBrake BT wire color coding

- Red** = 12V switched from bike
- Black** = Ground
- White** = Brake in from vehicle
- Yellow** = Left Turn signal input
- Green** = Right Turn signal input

Note:

Please consult your vehicle technical manual for wiring and wire color coding!

Warning: incorrect wiring to your bike can result in your electrical system malfunction.

Ohmics and its representatives cannot take responsibility for faulty installations or any unsuspected or unanticipated injuries due to its use. Installing and using the MotoBrake is at your own risk

All signals reference to ground (GND)