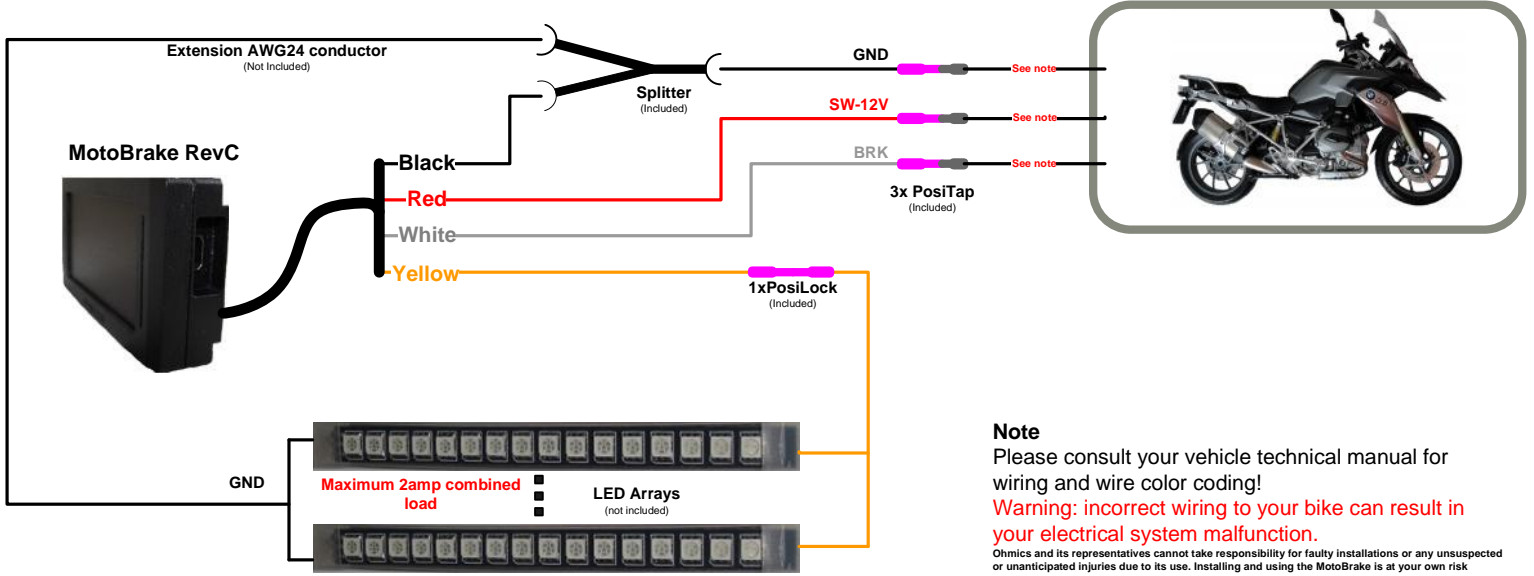




# MotoBrake RevC Wiring Diagram



## Ohmics MotoBrake RevC wire color coding

- Red** = 12V switched from bike
- Black** = Ground
- White** = Brake in from vehicle
- Yellow** = Brake/Tail light PWM out

All signals reference to ground (GND)