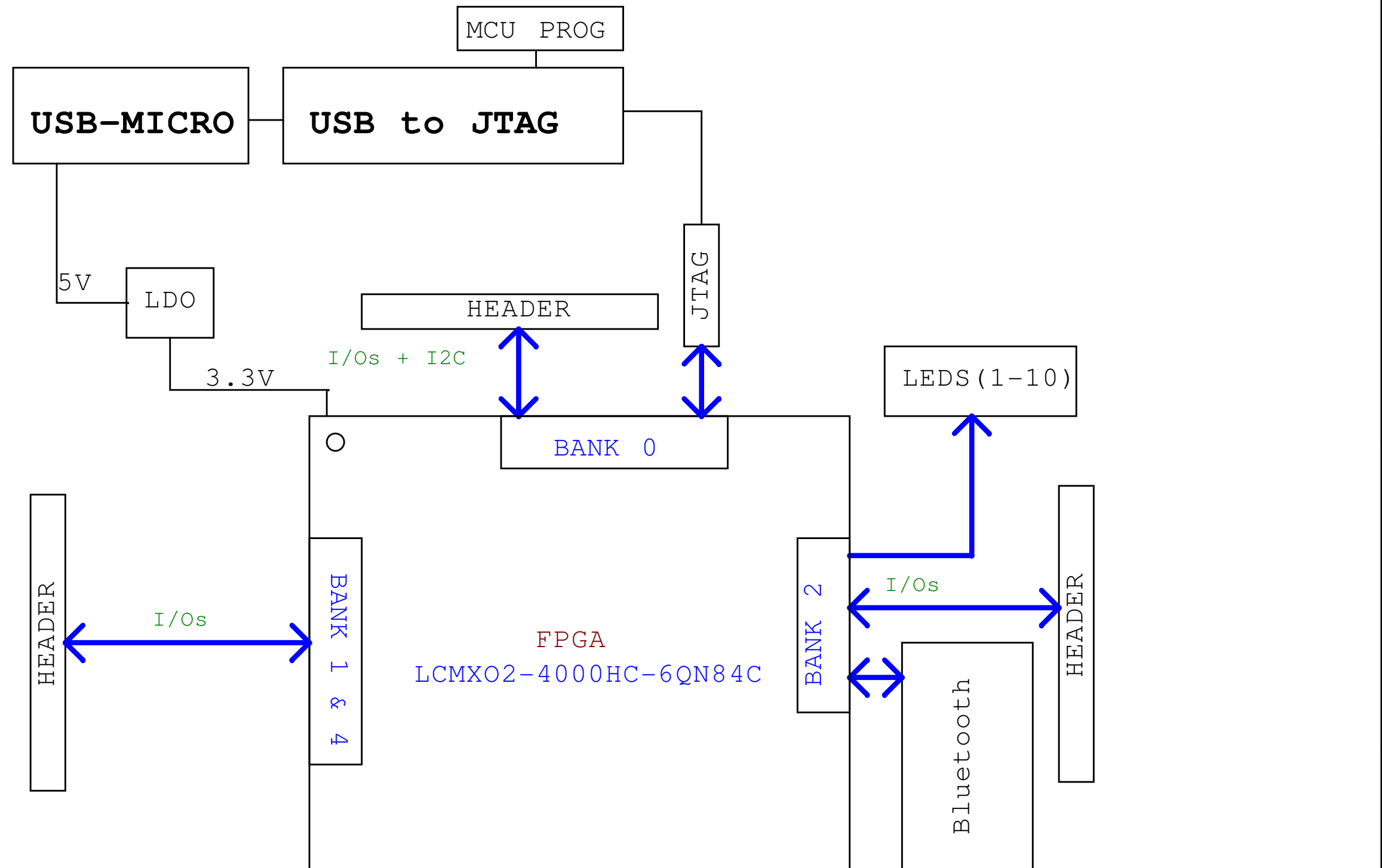


# BLOCK DIAGRAM

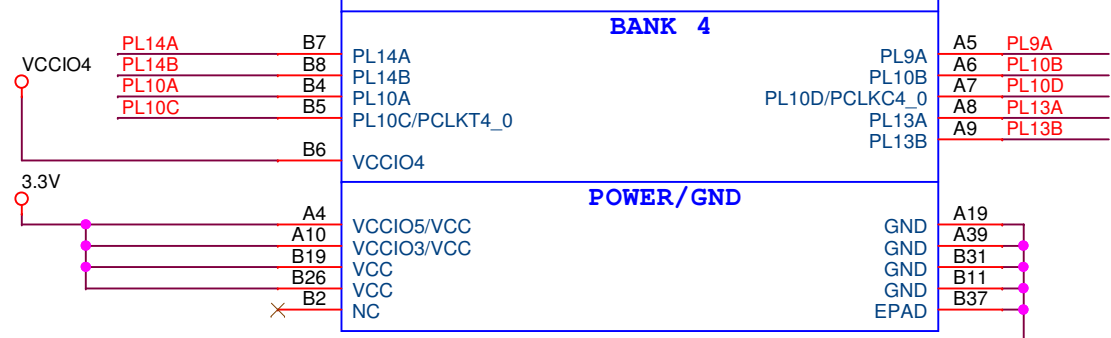
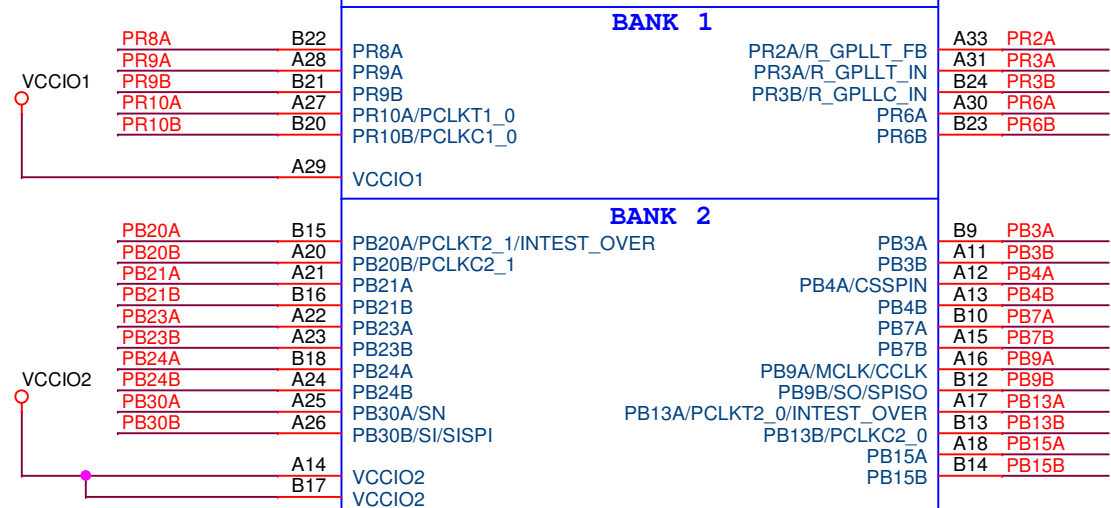
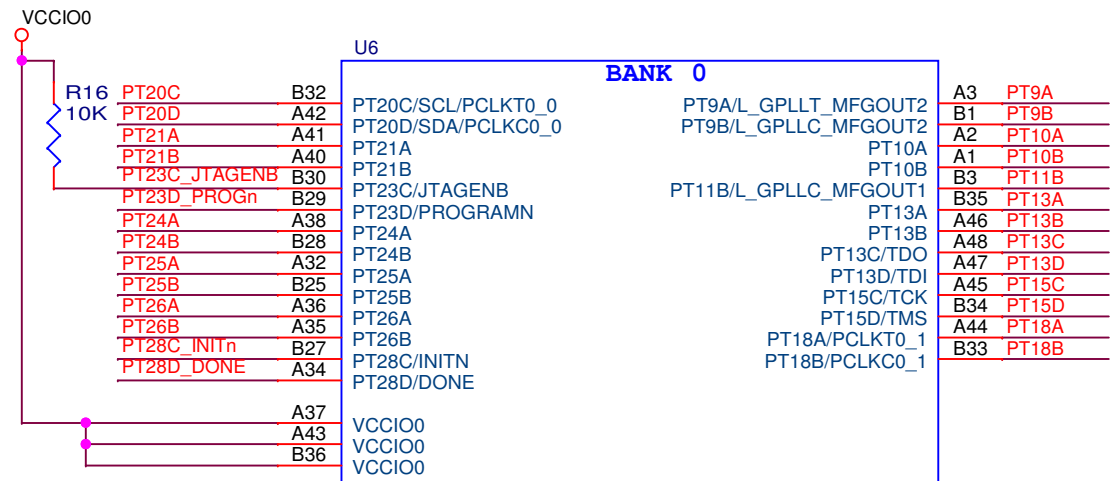
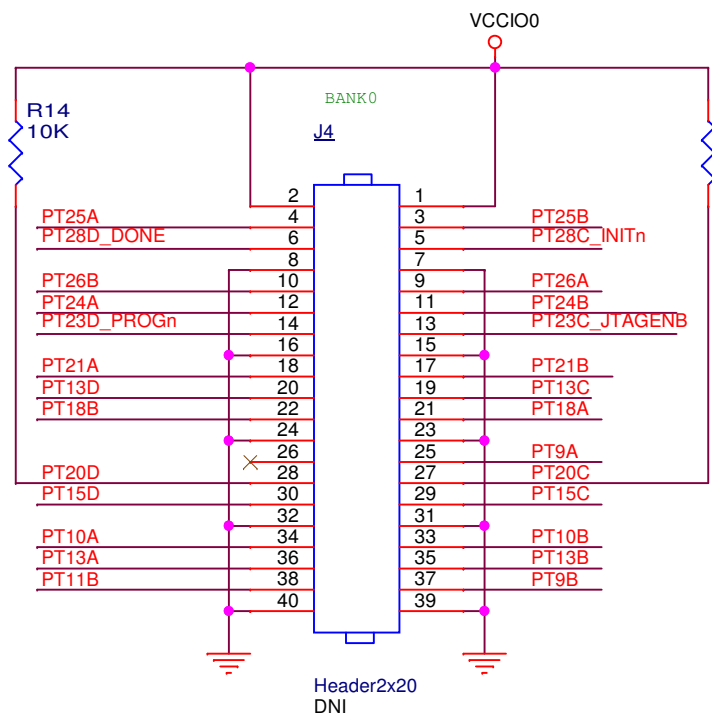
## LCMXO2-4000HC-6QN84C BREAKOUT



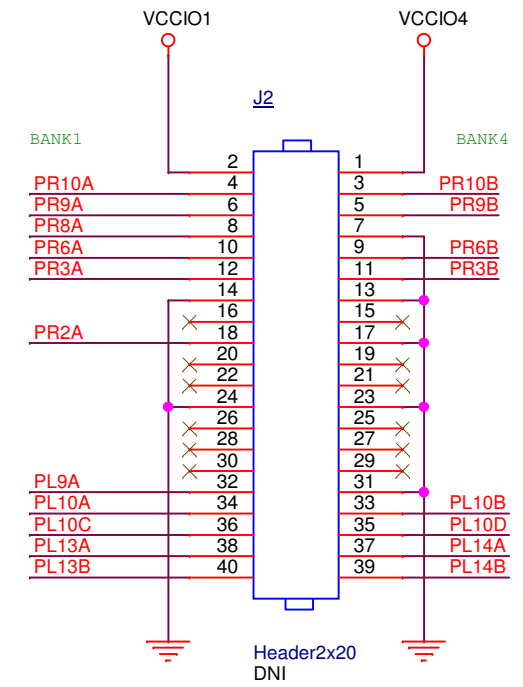
www.ohmics.com		
Title BLOCK DIAGRAM		
Size A	Document Number <b>LCMXO-4000HC-84QFN</b>	Rev
Date:	Friday, September 27, 2019	Sheet 1 of 3



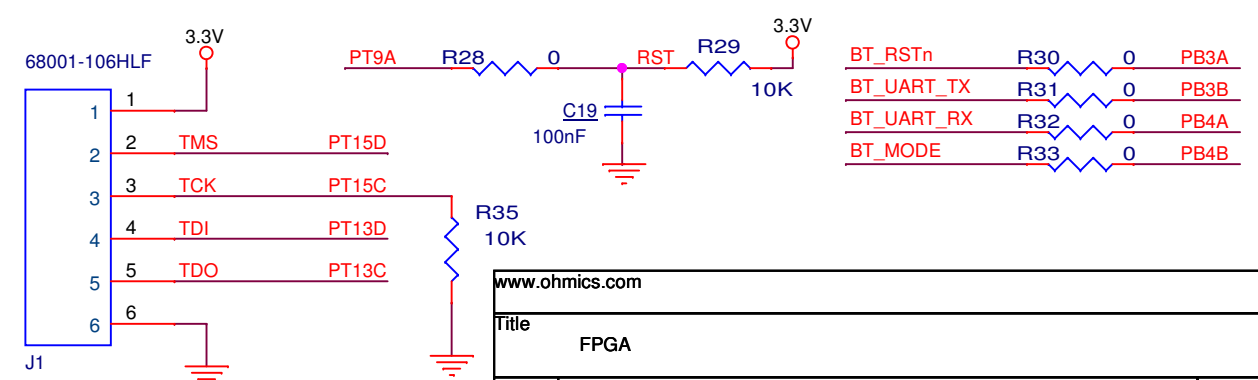
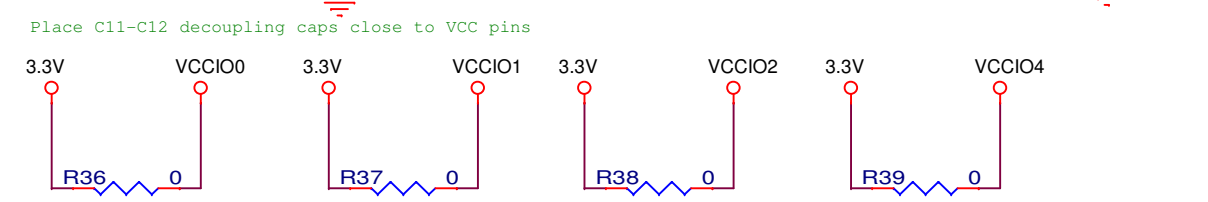
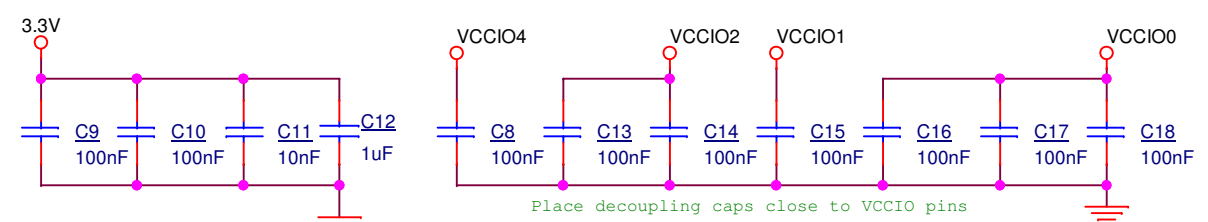
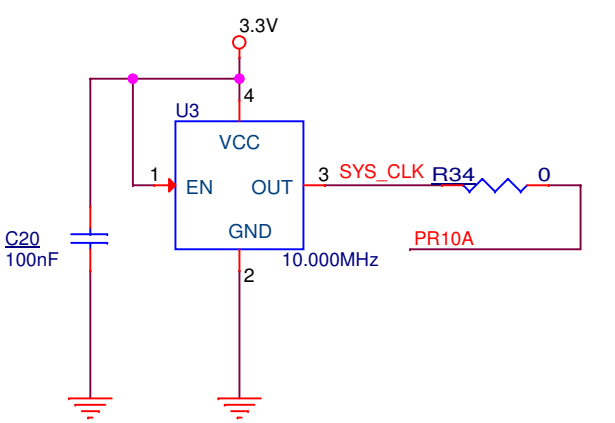
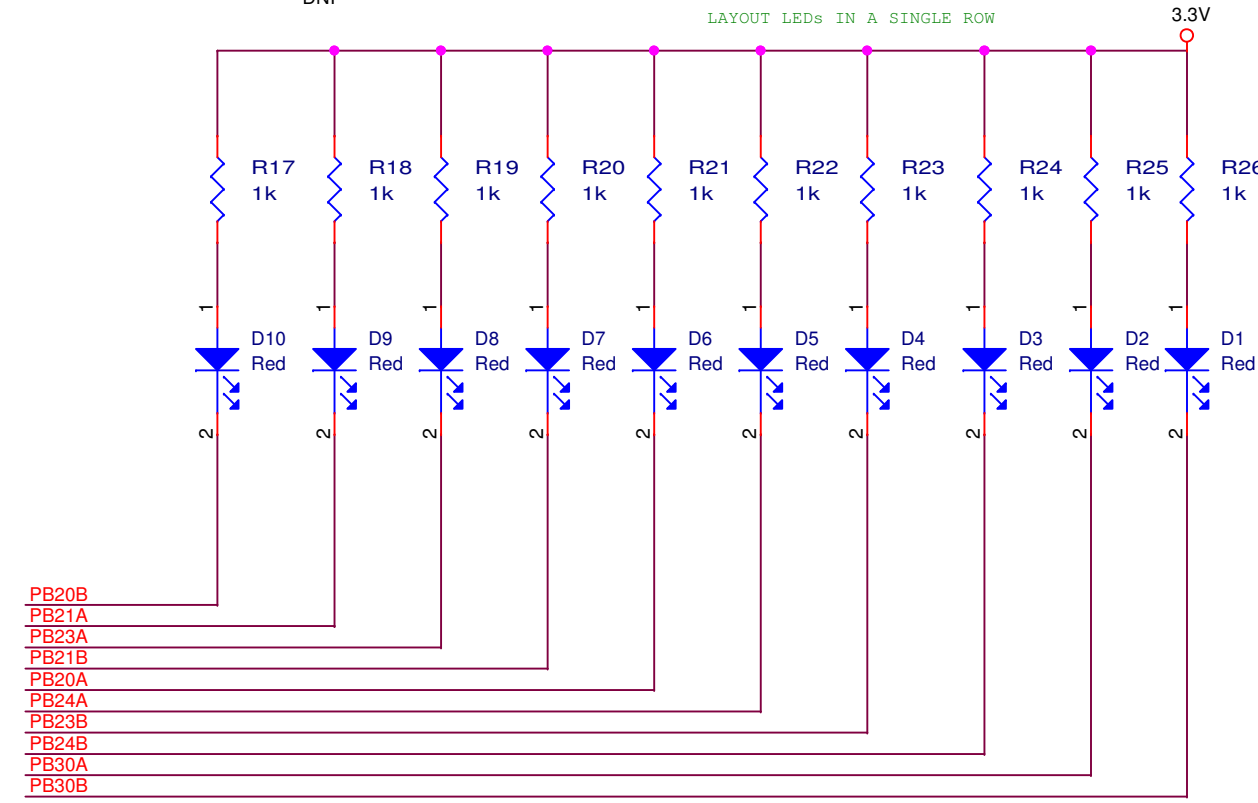
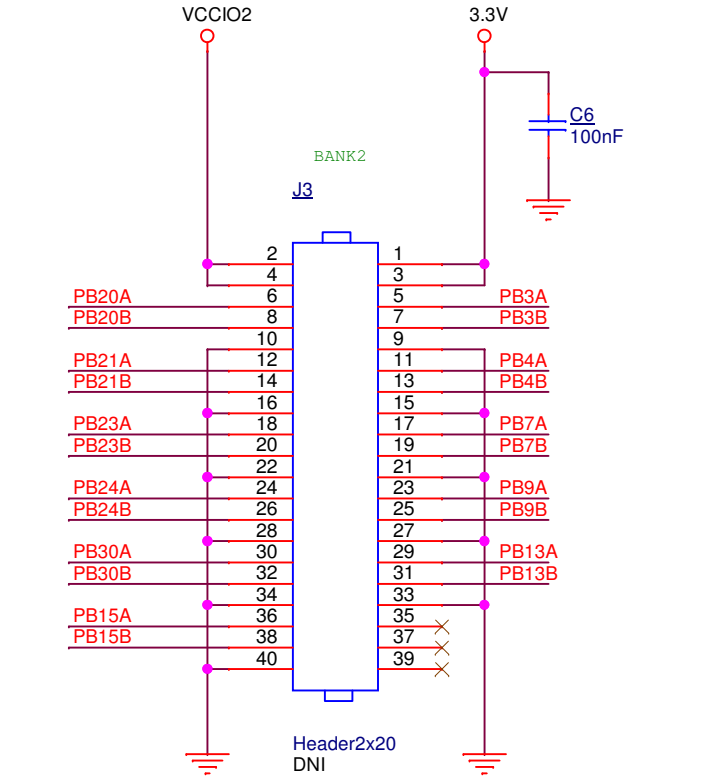
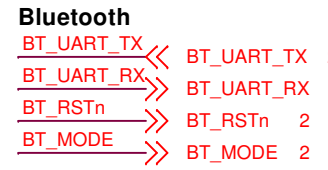
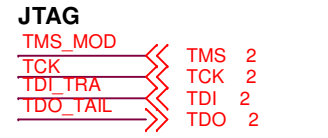
# FPGA



LCMXO2-4000HC-6QN84C



## OFF-PAGE CONNECTORS



www.ohmics.com		
Title FPGA		
Size B	Document Number LCMXO-4000HC-84QFN -REV B	Rev
Date: Friday, September 27, 2019	Sheet 3	of 3